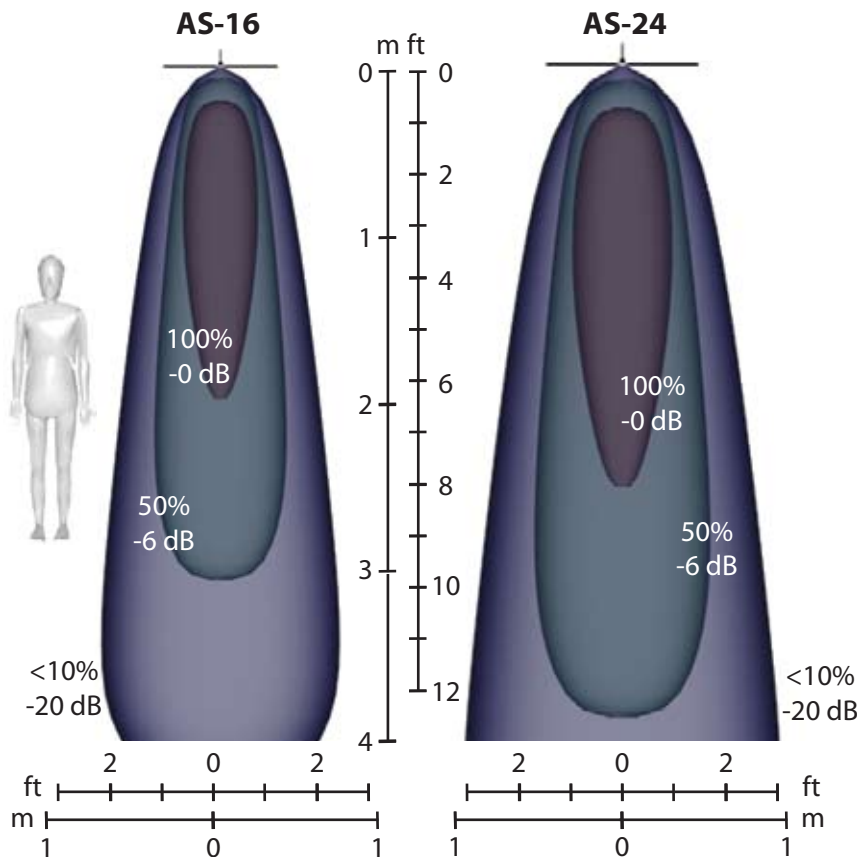


Sound Field Distribution



Sound field distribution is shown with equal-loudness contours for a standard 1 kHz tone. The center area is loudest at 100% amplitude, while the sound level just outside the illustrated beam area is less than 10%.

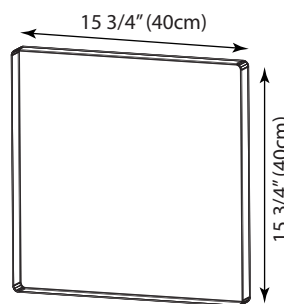
Audio Spotlight systems are much less sensitive to listener distance than traditional loudspeakers, but maximum performance is attained at roughly 1-2m (3-6 ft) from the listener.

Typical levels are 80 dB SPL at 1kHz for AS-16, and 85 dB SPL for AS-24 models. The larger AS-24 can output about twice the power and has twice low-frequency range of the AS-16.

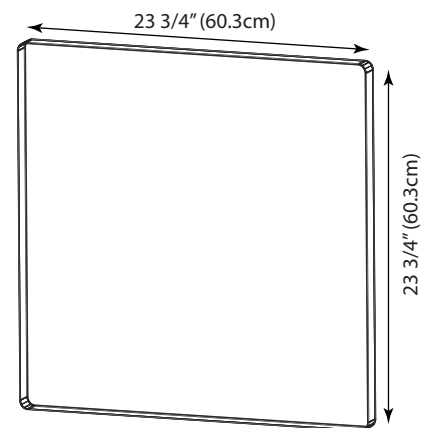
Amplifier Specifications

Input: RCA line-level audio
 Power draw: 65W max (AS-24)
 25W max (AS-16)
 Output: BNC coax cable
 (25' / 7m included)
 Controls: Volume, tone, on/off
 Voltage: 100-240V 50/60Hz
 Dimensions: 6" w x 7" d x 1.6" h
 (15cm x 18cm x 4cm)

Speaker Dimensions (thickness ~0.5" / 1cm)



AS-16



AS-24

New square models shown.
 Legacy round speakers
 are also available.

Holosonic Research Labs, Inc.
www.holosonics.com
 617-923-4000 info@holosonics.com

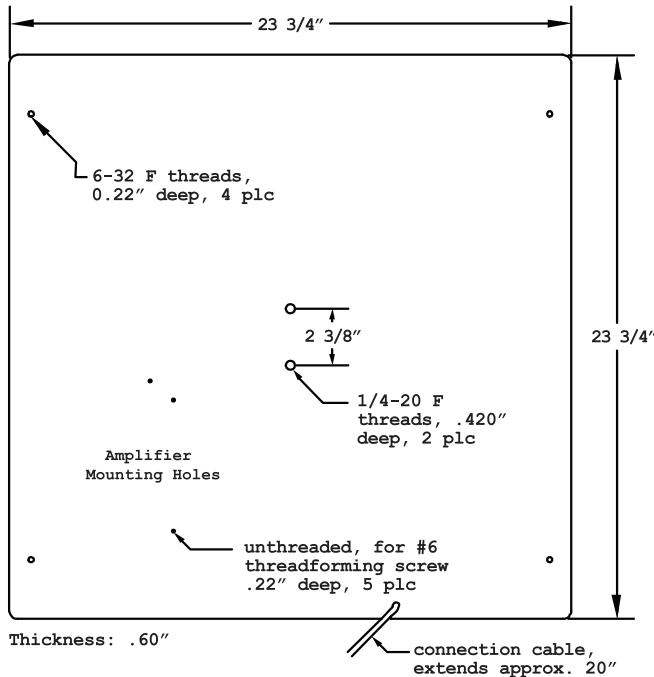
Add **sound...**
 and preserve the **quiet.**™

audio**spot**light[®]

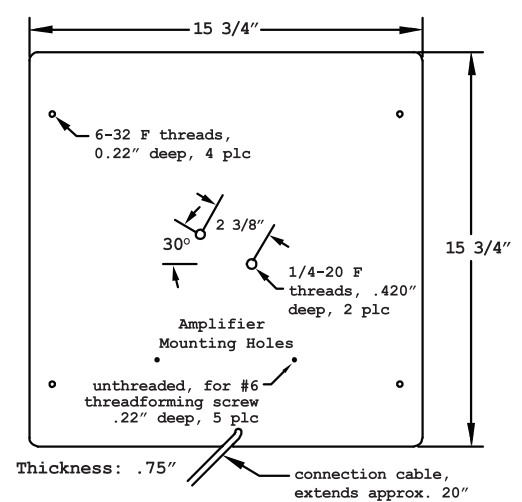
directional sound system

Speaker and Amp Dimensions

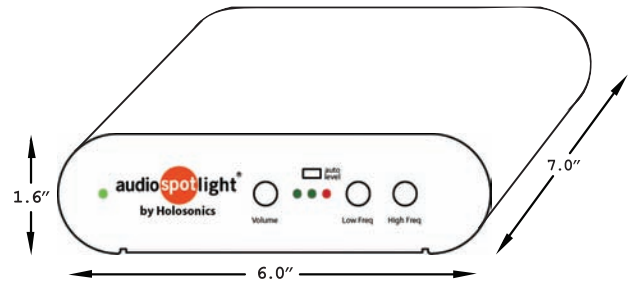
AS-24 - Rear Dimensions



AS-16 - Rear Dimensions



Amplifier Dimensions



Dimensions and Weights

AS-16 Speaker

Dimensions: 15.75" x 15.75" x 0.75"
40 cm x 40 cm x 1.9 cm
Weight: 5.5 lbs (2.5 kg)

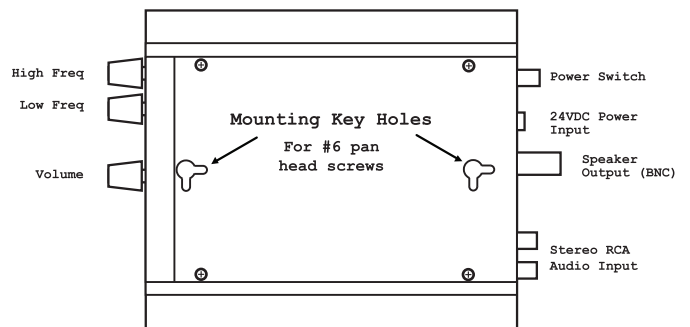
AS-24 Speaker

Dimensions: 23.75" x 23.75" x 0.60"
60.3 cm x 60.3 cm x 1.5 cm
Weight: 12.5 lbs (6 kg)

Amplifier

Dimensions: 6.0" x 7.0" x 1.6"
15 cm x 18 cm x 4.0 cm
Weight: 2.25 lbs (1 kg)

Amplifier - Bottom Panel



Holosonic Research Labs, Inc.
www.holosonics.com
617-923-4000 info@holosonics.com

Add **sound**...
and preserve the **quiet**.TM